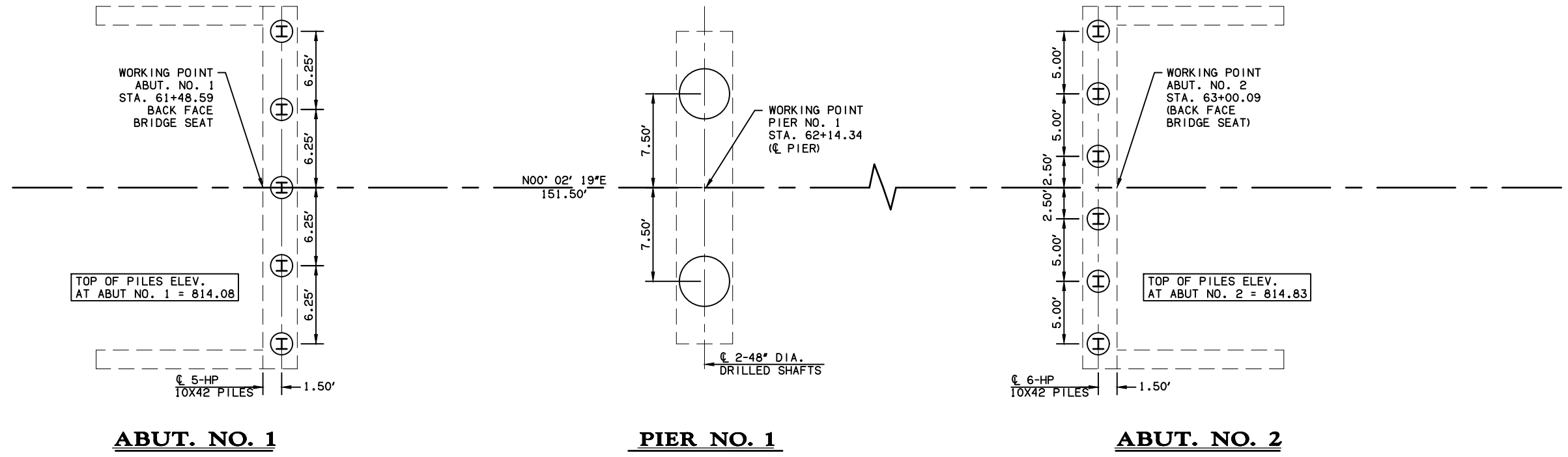
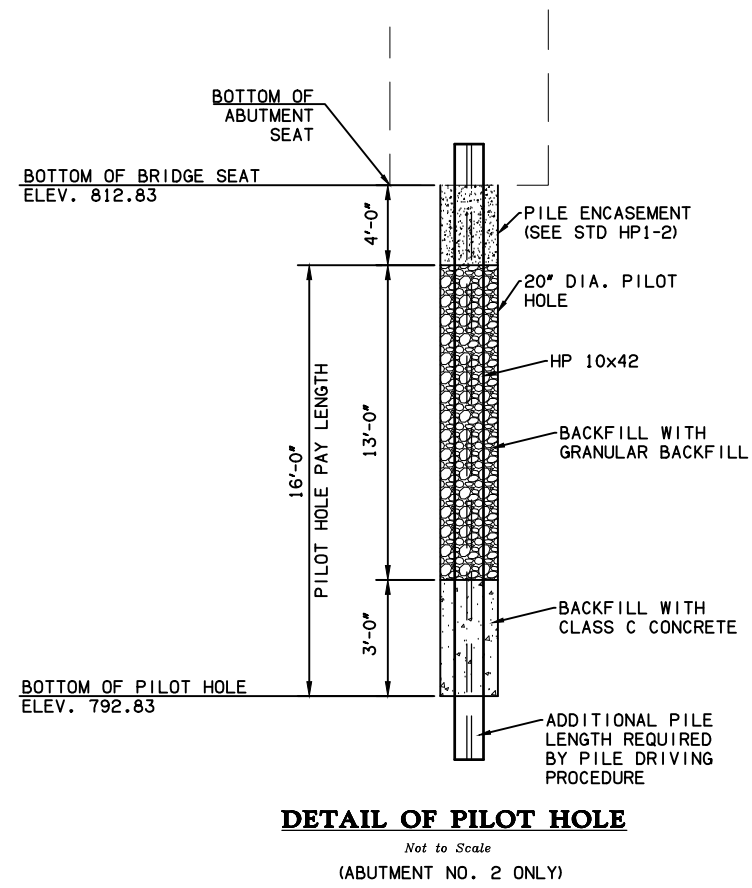


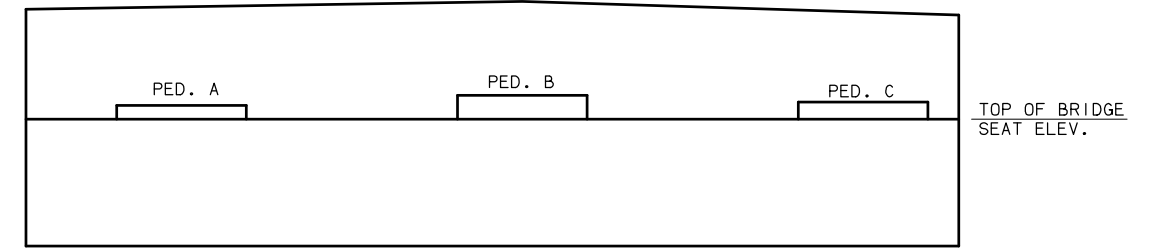
DESCRIPTION	REVISIONS	DATE



STAKING DIAGRAM
Not to Scale



DETAIL OF PILOT HOLE
Not to Scale
(ABUTMENT NO. 2 ONLY)



ABUTMENT ELEVATION
Not to Scale
(LOOKING BACK ON STATION AT ABUTMENT NO. 1)
(LOOKING AHEAD ON STATION AT ABUTMENT NO. 2)

ABUTMENT ELEVATIONS								
	TOP OF BRIDGE SEAT ELEVATION	LOW CHORD ELEV.	PEDESTAL A		PEDESTAL B		PEDESTAL C	
			ELEV. (ft)	HEIGHT (ft)	ELEV. (ft)	HEIGHT (ft)	ELEV. (ft)	HEIGHT (ft)
ABUTMENT NO. 1	816.08	816.33	816.25	0.17	816.45	0.37	816.25	0.17
ABUTMENT NO. 2	816.83		817.00	0.17	817.20	0.37	817.00	0.17

BR. 181A OVER LITTLE DEEP FORK		CREEK COUNTY		Design	BSF	07/17
BRIDGE "A"				Detail	BLP	07/17
				Check	JRW	07/17
				Squad	Eng. GUY	
STATE OF OKLAHOMA		GUY ENGINEERING SERVICES, INC.				SHEET NO. B002
JOB PIECE NO. 29407(04)						

Friday, July 28, 2017 10:13:53 AM
 V:\13-850 Br 181A Little Deep Fork Ck - Creek 3\CIV3D\PLANS\850-SUBSTRUCTURE STAKING DIAGRAM.dwg